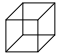
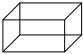

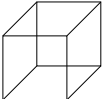
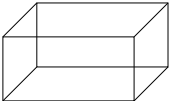



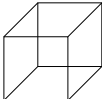
Homework Assignment 5C

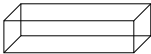
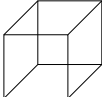
(To be used following Lesson 13)

Name: _____ Date: _____

	= 1 cubic unit
2 units =	
4 units =	
8 units =	
16 units =	

Use the chart to complete each fractional relationship.

1.  = _____ 

2.  = _____ 

3.  = _____ 

4.  = _____ 

5. What other fractional relationships can you find?

Lessons 11-13 Subconcept: Conjectures about geometric properties can be made and tested.

Developing Geometric Logic: Conjectures and Transformations

Math Out of the Box™ Clemson University

Lessons 11-13 Subconcept: Conjectures about geometric properties can be made and tested.

Developing Geometric Logic: Conjectures and Transformations

Math Out of the Box™ Clemson University